



Please Note:

Drill holes into the wall with the recommended depth and diameter. The installation equipment supplied is suitable for a wide range of wall types; however before mounting it, please ensure they are suitable for your wall structure. If you have any doubts regarding the installation process, advise with an installer or a qualified dealer. The supplied screws and fixtures are set to suit most TVs on the market but they may not be suitable for your TV so please ensure to check before proceeding with the installation.

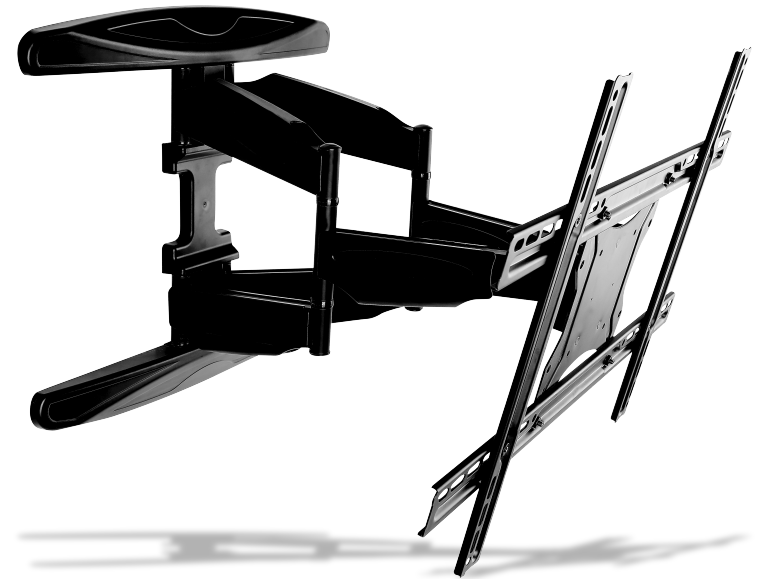
If the diameter, pitch, and length of the screws do not fit the requirements of the television, new ones will need to be purchased. This wall mount is not suited for outdoor installation.

Thank you for your purchase!

www.texonic.ca

TRADEzon[®]

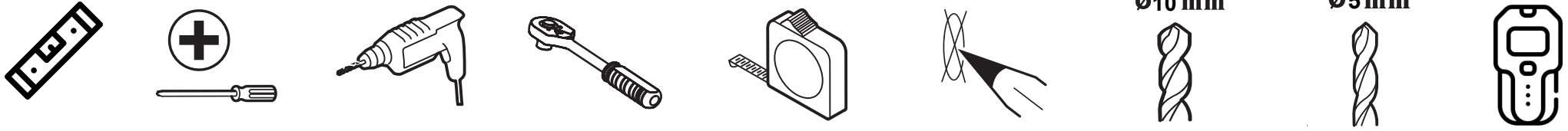
32" to 75" Slim Profile Full Motion Wall Mount



from wall

T-KA6

What you need

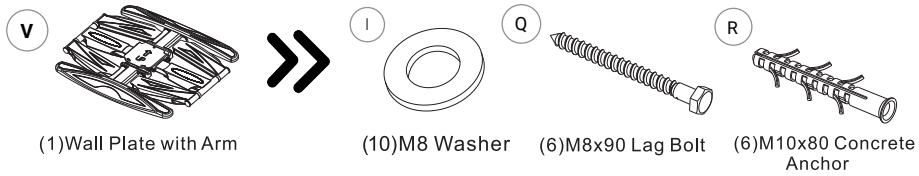


What is included

make sure all hardware is inside before proceeding with the installation

Step 1: WALL ASSEMBLY

WALL ASSEMBLY HARDWARE



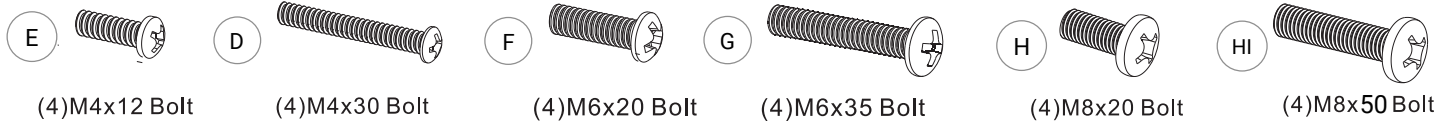
Step 2: VESA ASSEMBLY

VESA ASSEMBLY HARDWARE

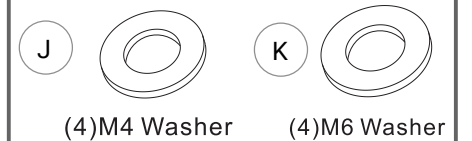


Step 3: ATTACH VESA ASSEMBLY TO TV

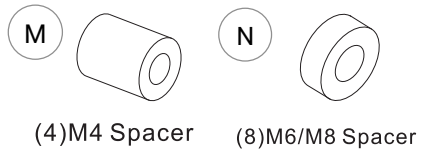
SCREWS



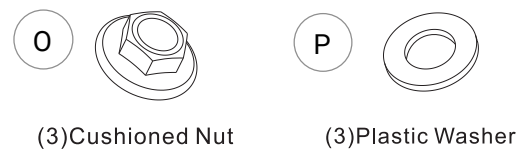
WASHERS



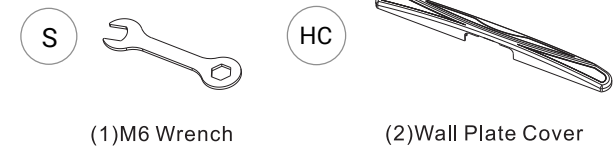
SPACERS



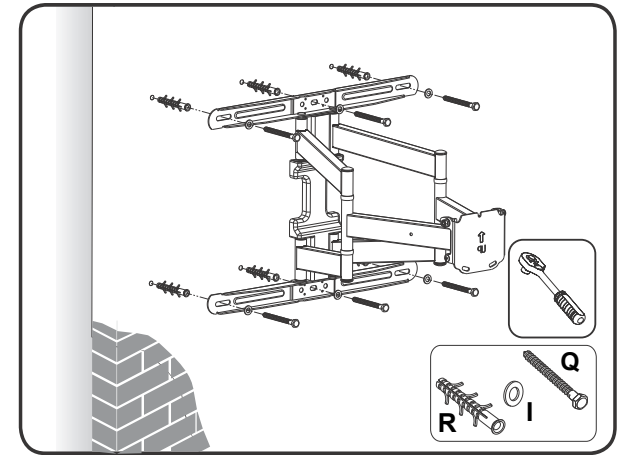
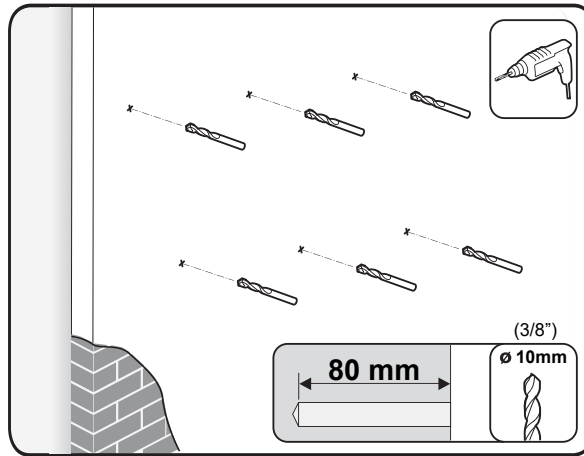
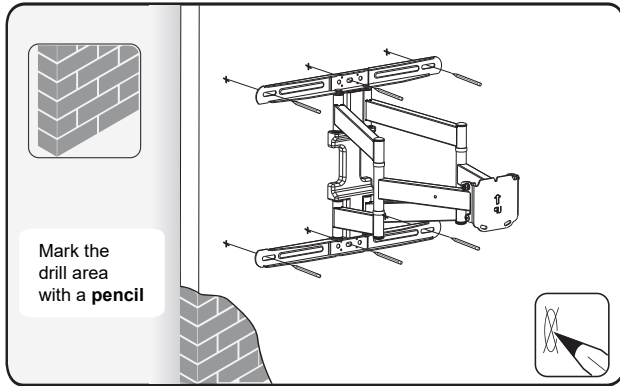
Step 4: ATTACH TV TO WALL ASSEMBLY



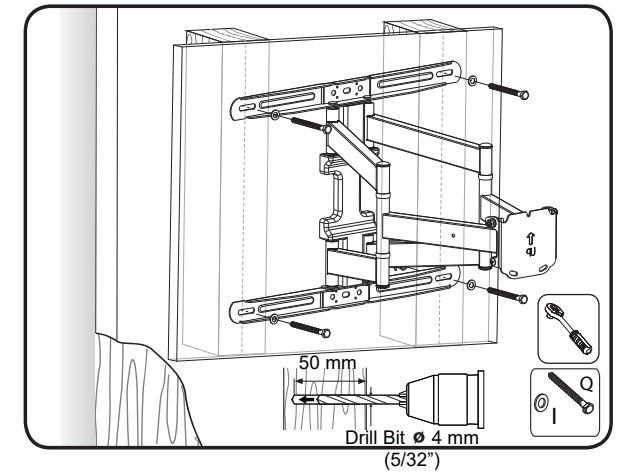
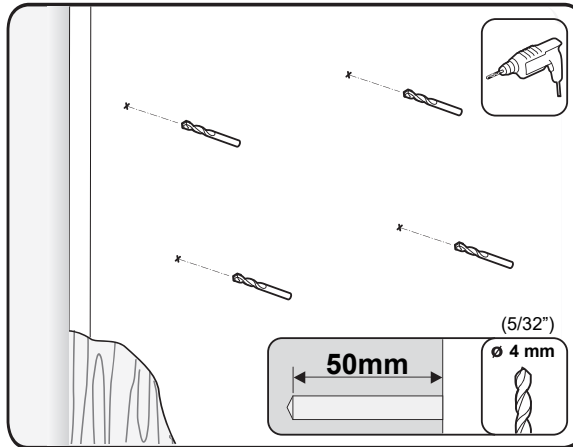
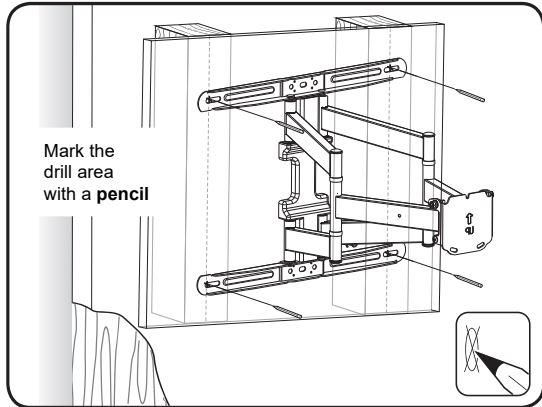
Tilt/Pan Adjustment tool



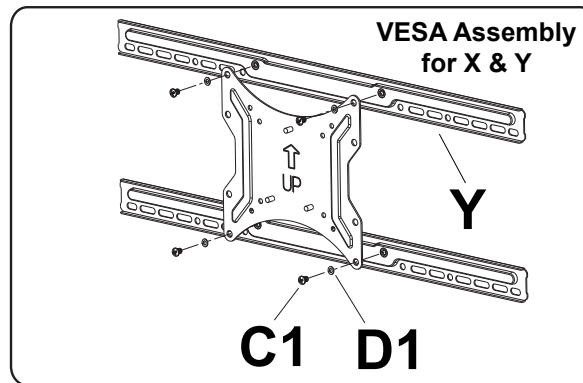
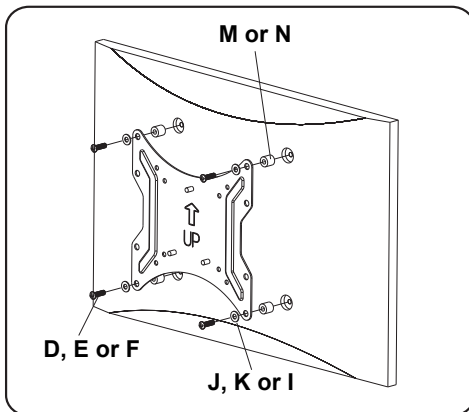
Brick or Concrete Wall Installation Steps



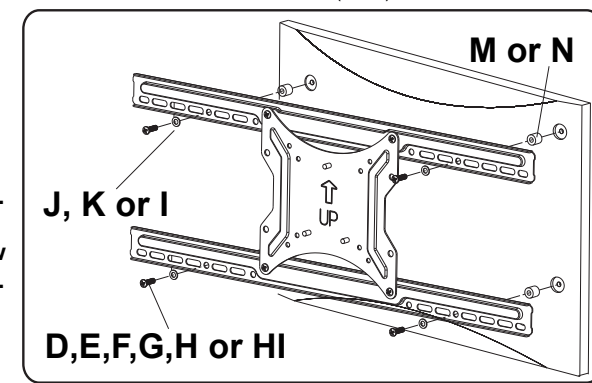
Drywall Wood Stud Installation Steps

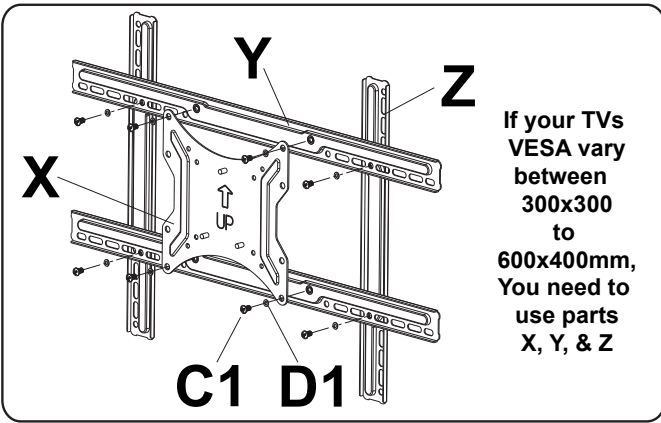


If your TVs VESA is 100x100, 200x100, 200x200 mm. You only need to use X

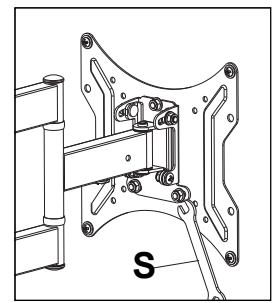
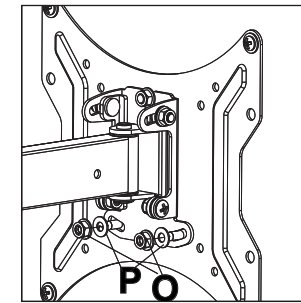
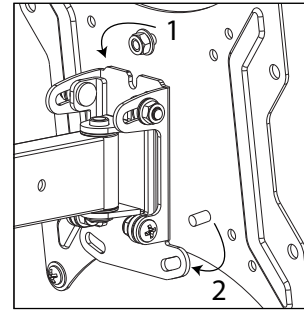
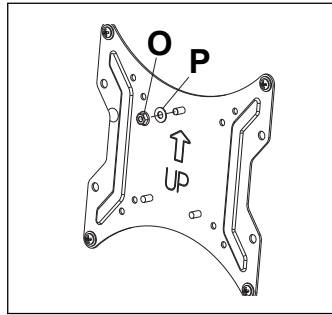


If your TVs VESA is 300x200 or 400x200mm. Please follow the diagram.

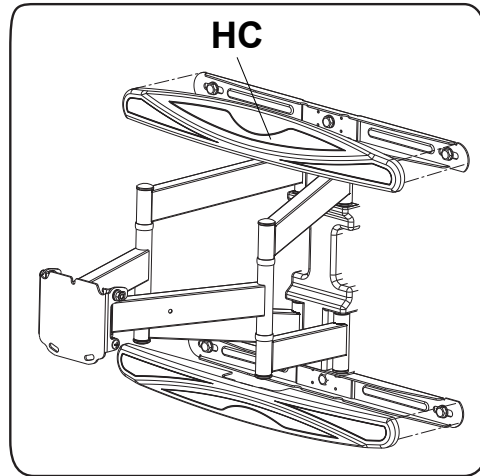
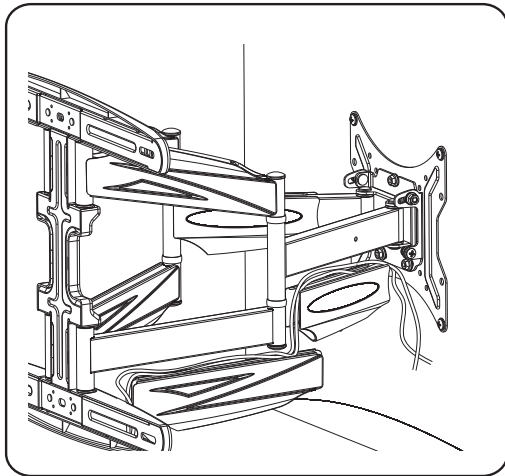




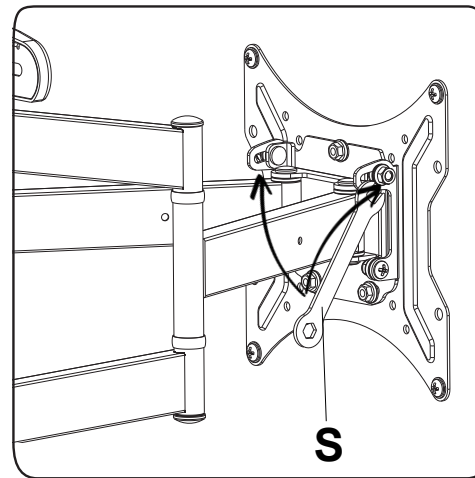
Wall assembly to VESA plate



Cable management system

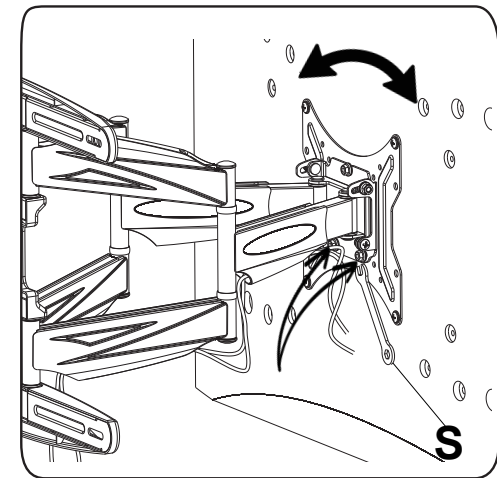


Tilt Adjustment



After tilt adjustment.
Tight both ends of the nuts to secure it in place

Pan Adjustment



After pan adjustment
(Levelling the TV)
tighten the nuts